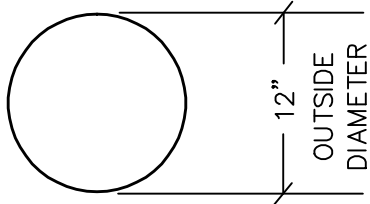


ASH RECEPTACLE  
MODEL NUMBER 8C-1225 T/A

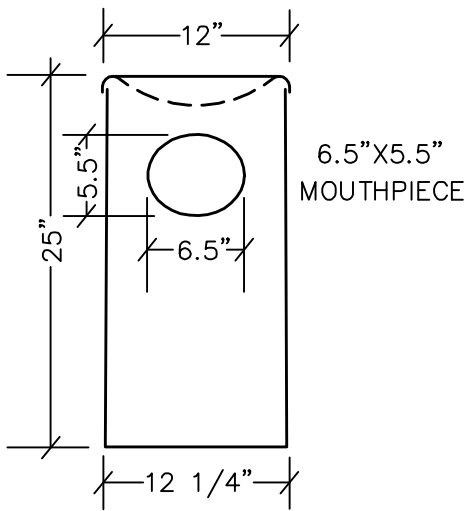
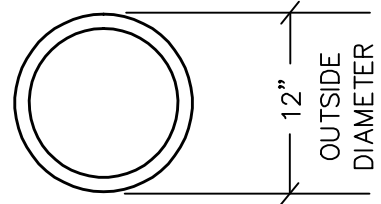
RECEPTACLE

TOP VIEW



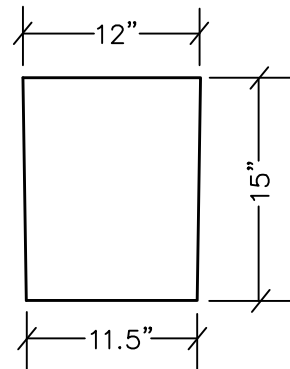
LINER

TOP VIEW

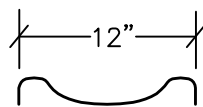


SIDE VIEW

RECEPTACLE  
LINER



SIDE VIEW



ASH PAN